



# HVM40B

Digital High Voltage Meter

## Features:

- Measures 500 to 40,000 Volts DC
- Dual range switch provides increased resolution for measuring voltages below 20 kilovolts
- Extremely high input impedance (10 giga-ohms) minimizes circuit loading
- Large LED display
- Advanced solid-state design
- Retractable Flip Feet (standard)
- Retractable Tilt Handle (optional)
- Rack Mount Ears (optional)



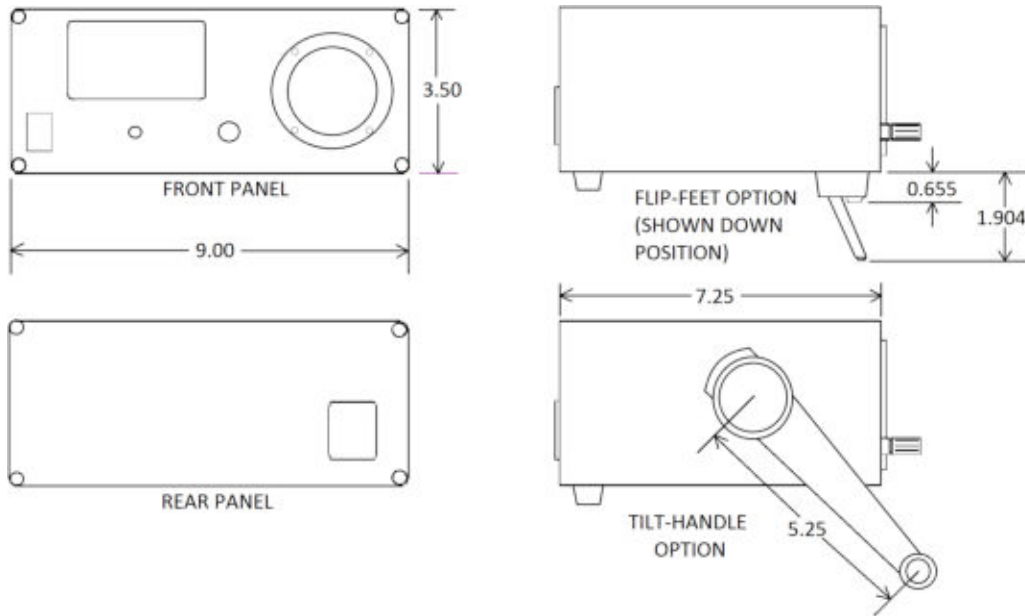
## Applications:

- Laboratory Measurements
- Troubleshooting High Voltage Circuits
- Electrostatic Air Cleaner Service and Maintenance
- Static Power Supply Monitoring

## Specifications:

	Conditions	Value	Units
<b>Input Power</b>	50 - 60 Hz, 0.5 Amps max.	100 - 250	VAC
<b>Measured Voltage</b>	DC Only	500 – 40,000	VDC
<b>Input Impedance:</b>		10	G Ohm
<b>Input HV Connector</b>	HV-Insulated 40 kV	F310RX	
<b>Input Return Connector</b>		Binding Post	
<b>Accuracy</b>	2,000 – 40,000 Volts	+/- 0.4	%
<b>Accuracy</b>	500 – 2,000 Volts	+/- 1.0	%
<b>Resolution</b>		4.5	Digits
<b>Sampling Rate</b>		2	Per Second
<b>Display</b>		LED	
<b>Operating Temperature</b>	0 – 80% Relative Humidity	0° to +50°	C
<b>Storage Temperature</b>	0 – 90% Relative Humidity	-25° to +65°	C
<b>Case Dimensions</b>	Imperial	9.0 W x 3.5 H x 7.25 D	Inches
<b>Case Dimensions</b>	Metric	22.86 W x 8.89 H x 18.415 D	cm
<b>Weight</b>	Imperial	4	lbs.
<b>Weight</b>	Metric	1.8	kg
<b>Fuse</b>	Slow Blow	0.5 / 250	A / VAC

**Dimensions:**



**Symbol Definitions:**



- Warning: General caution required.



- Ground: Frame or chassis terminal connected to earth ground.

**Certifications:**



Conforms to UL standards 61010-1 & 61010-2-030. Certified to CSA standard C22.2 numbers 61010-1 & 61010-2-030 Control Number 3097531.

**Power Cord Options:**



*HVM40B-CUS*



*HVM40B-CGB*



*HVM40B-CEU*



*HVM40B-CAS*